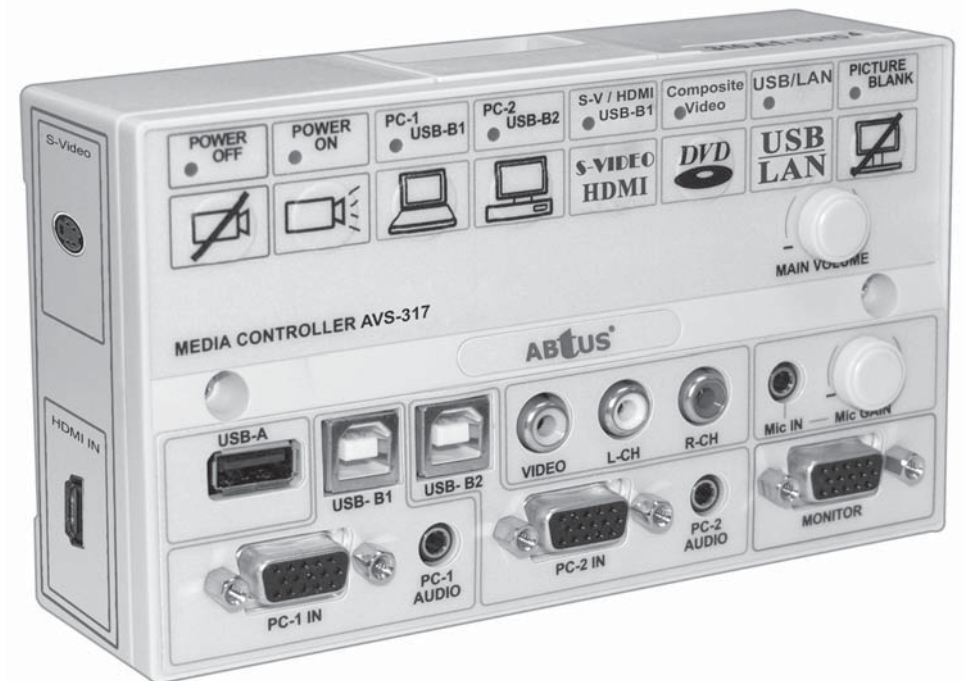


SPECIFICATIONS

INPUT:	VGA Input x 2 (*D-Sub 15pin) PC-Audio x 2 (*3.5mm) C-Video x 1 (*RCA) Stereo Audio x 1 (*RCA), Audio loop back (HDMI Audio) Microphone x 1 (*3.5mm) USB-B x 2 (switcher with build in buffer) USB-A x 1 (for Thumb Drive with build in buffer) HDMI Input x 1 (19 pin female with build in buffer) S-Video Input x 1 (Pass through)
OUTPUT:	VGA output x 2 (*1 to projector and 1 for monitor) HDMI Output x 1 S-Video x 1 C-Video x 1 Main Stereo Audio x1 USB-B x 1 USB-A x 1
VGA BANDWIDTH:	2:1x2 Switching Both with 900MHz (R+G+B)
MAX RESOLUTION:	1280 x 1024 (VGA) , Full HD 1080p (HDMI)
ALL CABLE LENGTH:	Up to 7 meter (USB), Up to 15 meter (HDMI), Up to 28 meter (All other cables) *subject to grade of cables used
CONFIGURATION COM PORT	1 x RS-232 (9600, 8 data bit, Non Parity and 1 stop bit) 1 x RS-232 (8 Data Bit and 1 Stop Bit) Baud Rate (9600 to 115200) Parity Bit (Non, Even or Odd)
DELAY TIME:	Projector "ON/OFF" delay time (*in sec) 1 to 99
CONTROL BUTTON:	Number of user defined "Control Button" x 8 (10 commands) Available protocol for each "Control Button" x 1 (or x 2 depending on configurations)
LED	With LED indication and buzzer for confirmation
VIDEO SELECTION:	All VGA / USB Input Switching Digital
AUDIO SELECTION:	Audio Input Switching Digital
VOLUME:	Main Volume Control Analog
MIC GAIN:	Microphone Input Gain Control Analog
POWER ADAPTOR:	12V-DC, 500mA
HOUSING:	ABS
DIMENSIONS WEIGHT:	(149 x 88 x 48)mm Weight:350g
ACCESSORIES:	AC-DC Power Adaptor 12V-DC, 500mA

Integrated Projector Controller Switcher



Model: **AVS-317**

Any professional presentation system requiring multiple AV Inputs of all different type of Video standard and a standard projector controller.

- Schools (Media Classroom) ● Churches ● Corporate Applications (Meeting Room)

User Operation Guide

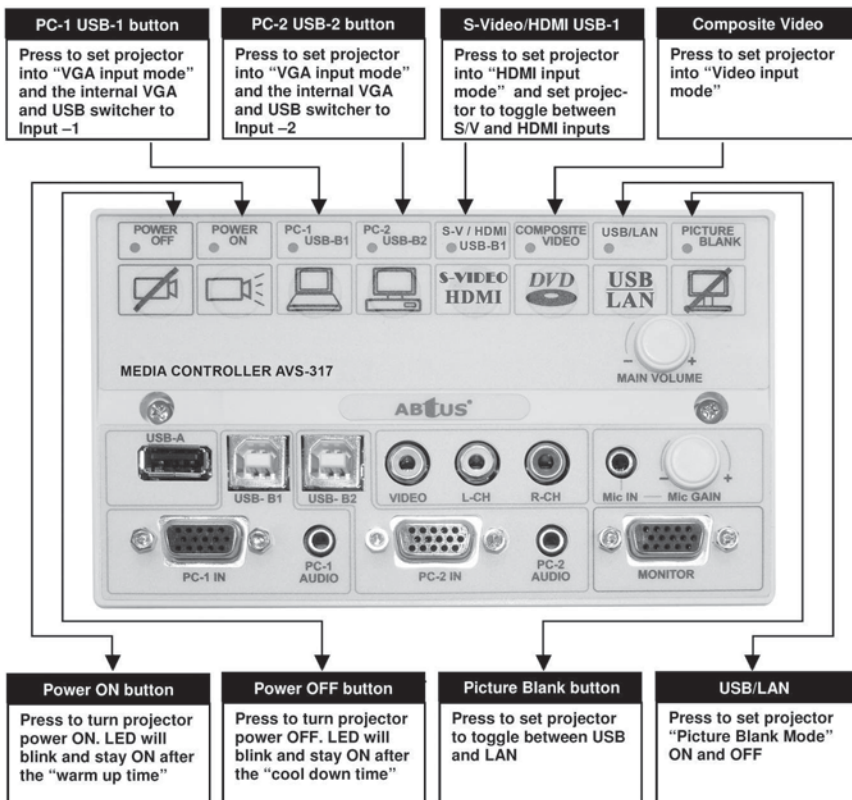
PRODUCT DESCRIPTION

The **ABtUS AVS-317** Media Control Panel is one of the most user friendly and installer friendly unit that is specifically designed for an easy and central control of any AV projection system with USB interactive connectivity. It removes the need for over-complicated and multiple remote control handsets. With the 2:1 USB-B switcher, switching for projection with interactive can now be done with just a push of a button.

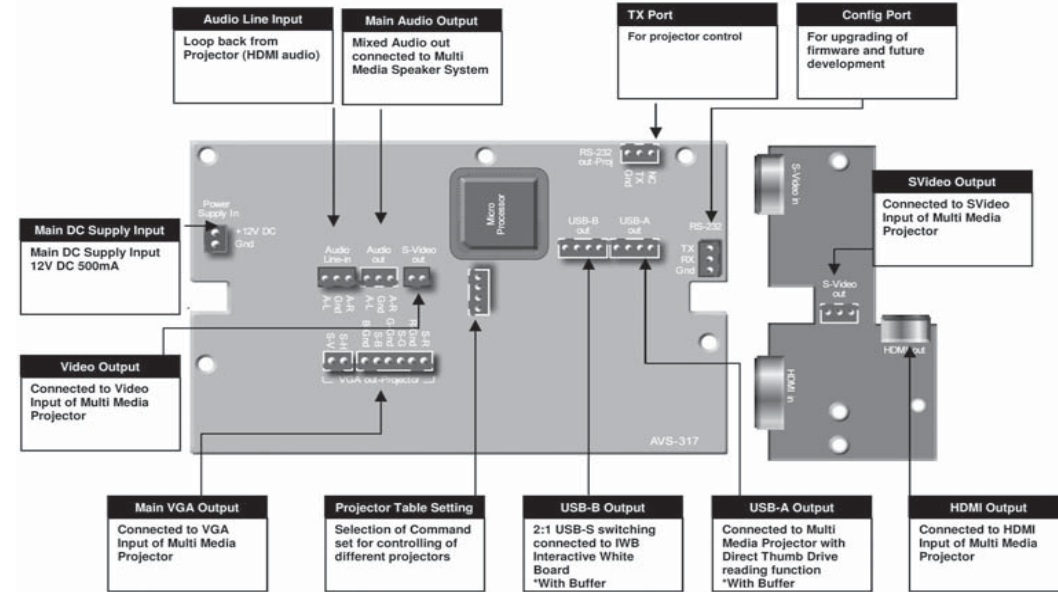
PRODUCT HIGHLIGHTS

- “User Programmable” with Window based Application Software
- Simple to use with one to one function controlled buttons
- Works well with any monitors, projectors as well as interactive systems
- Supports 2:1x2 VGA and 1:1 HDMI DA
- Easy Installation with standard 2.45mm connector and cabling
- Fully self contained / integrated Projector Controller with AV switcher
- Build in USB buffer with best connectivity for interactive system and USB thumb drive

BASIC FUNCTION AND CONTROL



INTERNAL PCB LAYOUT AND INTER CONNECTION



SYSTEM DIAGRAM

